

# AUTOMATION SOLUTIONS

Grippers | Rotaries | Slides



Precision in Productivity

End Effectors	<b>Grippers</b>	Indexers
Manual Clamps	Power Clamps	Remote Handling

PRODUCT CATALOG

[destaco.com](http://destaco.com)

## ABOUT DESTACO

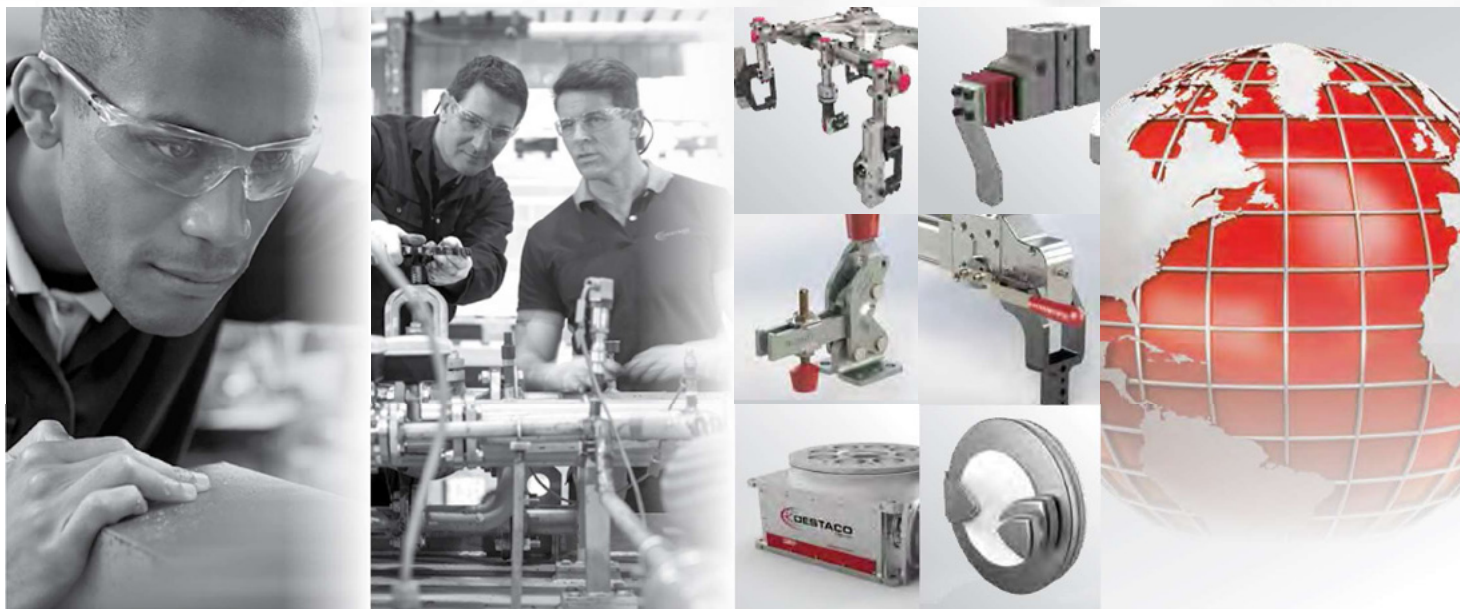


Precision in Productivity™

### DESTACO Mission Statement

Enable optimal manufacturing productivity through a comprehensive suite of easy to integrate high-performance, precision automation, workholding and containment solutions.

- **Focused** - Dedicated talent and resources to help manufacturers improve precision and productivity
- **Insightful** - Full line of products improves production flexibility and meets any manufacturing requirement
- **Comprehensive** - Through perspective gained on plant floors around the world, we deliver unique, creative solutions nobody else can
- **Global** - Production, customer and technical support worldwide, wherever you need us



FOCUSED



INSIGHTFUL



COMPREHENSIVE



GLOBAL



Dimensions and technical information are subject to change without notice

## ABOUT DESTACO

### Focusing all of our Resources

#### New Product Development

DESTACO has dedicated resources to design and build the next generation of products and solutions

#### Customer and Technical Service

DESTACO has industry leading global support to address any product and application concerns you may have

#### Design Tools

DESTACO provides an extensive CAD library, sizing software, and online tools to support our global customers



### Our Insight Working for You

#### Application Engineering

We utilize our expertise and complete portfolio of products to create solution that fit our customers' needs and applications

#### Custom Solutions

If our off-the-shelf solutions don't fit, we will partner with our customers to develop products that will



### Building a Strong Brand

DESTACO has grown since 1915 through product development and acquired strong product brands to offer a comprehensive portfolio of products for automation, workholding, and containment solutions.



Dimensions and technical information are subject to change without notice

GR-PRO-1





# CLEAN ROOM RATED SOLUTIONS

## Grippers/Slides/Rotaries | Product Overview

DESTACO's Clean Room Rated Solutions are geared toward laboratory, semiconductor, medical, and food handling type environments. Many of our pneumatic products include a scavenge or purge port. These extra ports create internal vacuum or pressure to control contaminants escaping into the environment or prevent de-greaser or other chemicals penetrating our product.

### Solutions include:

- Diverse line-up of products for class 10/100 cleanroom environments
- Manufactured with corrosion-resistant materials for use with de-ionized water
- Customized solutions available with food and medical grade lubricants, stainless steel, and nickel-plated materials to meet your application requirements.

#### Electric Grippers

Rating	RPE	DPE-200	DPE-400
10	●		
100			
1,000			
10,000			
100,000			

#### Pneumatic Grippers

Rating	RPMC	RPLC	DPDS	DPDL	DPG	DPP	RDH	RTH	DCT
10	●	●	●						
100	●	●	●	●			●	●	
1,000	●	●							
10,000									
100,000									

#### Linear Slides

Rating	DLB	DLT	DLM
10			
100			
1,000			
10,000			
100,000			

#### Rotary Actuators

Rating	DRG	DRF	RR
10			
100			
1,000			
10,000			
100,000			

■ Standard Clean Room Rating. ● With use of Scavenge

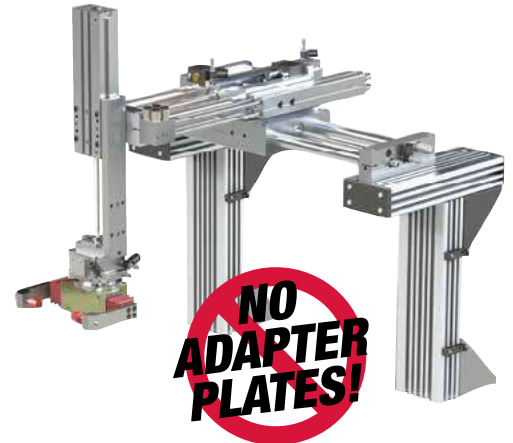
**Note:** All products tested using Krytox™ grease. Please contact factory for individual test results and additional clean room requirements.

# MODULAR MOUNTING SOLUTIONS

## Grippers/Slides/Rotaries | Product Overview

DESTACO's modular automation systems feature DIRECTCONNECT™ technology, allowing all components of the system—base slides, block thrusters, thruster slides, grippers, and mounting stanchions—to be mounted together quickly and easily without any adapter plates.

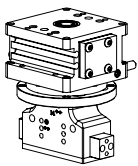
- Reduces engineering design
- Saves \$\$\$ with modular solutions
- Change device orientations quickly
- Eliminates Adapter Plates



### Modular DIRECTCONNECT Mounting Style Examples:

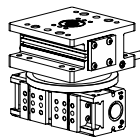
Look for more examples of each main section of the catalog. This is a sample of configurations we offer. Custom solutions also available.

#### Grip & Rotate



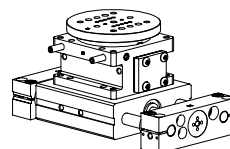
DRF Rotary Actuator to DPDL Parallel Gripper

#### Pick & Rotate



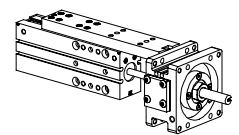
DRF Rotary Actuator to DPP Parallel Gripper

#### Place & Rotate



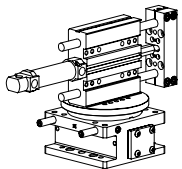
DLB Base Slide to DRF Rotary Actuator

#### Place & Rotate



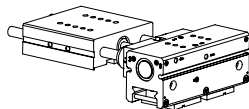
DLM Linear Slide to DRG Rotary Actuator

#### Rotate & Place



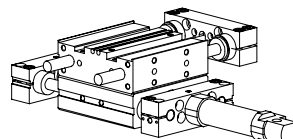
DRF Rotary Actuator to DLT Linear Slide

#### Pick & Place



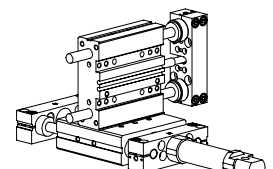
DLT Base Slide to DPP Parallel Gripper

#### Place & Place



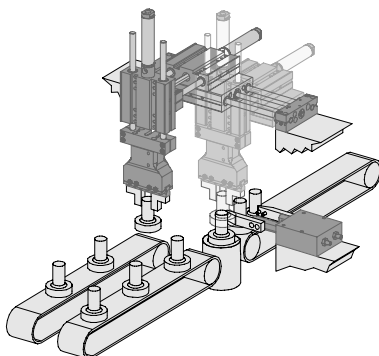
DLB Base Slide to DLT Linear Slide

#### Place & Place

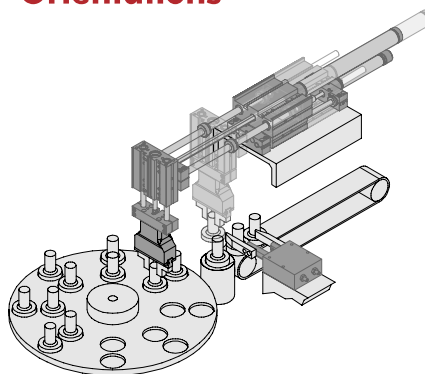


DLB Base Slide to DLT Linear Slide

### Connect Different Sizes & Styles



### Configure in Multiple Orientations



### Look for the DIRECTCONNECT Logo

Product Series beginning with the letter D have a DIRECTCONNECT option, with a few exceptions.

**DIRECTCONNECT**



GR-PRO-4

Dimensions and technical information are subject to change without notice

# HOW TO MAKE A DIRECTCONNECT™ MOUNT

## Grippers/Slides/Rotaries | Product Overview

The DIRECTCONNECT Modular Compatibility Chart (on the next page) shows all the products that can easily connect together without adapter plates. Simply locate your first product along the horizontal axis of the top of chart, then locate the second product along the vertical axis on the left side of the chart. If a connection can be made, a mounting pattern will be shown.

### DIRECTCONNECT Modular Compatibility Example:

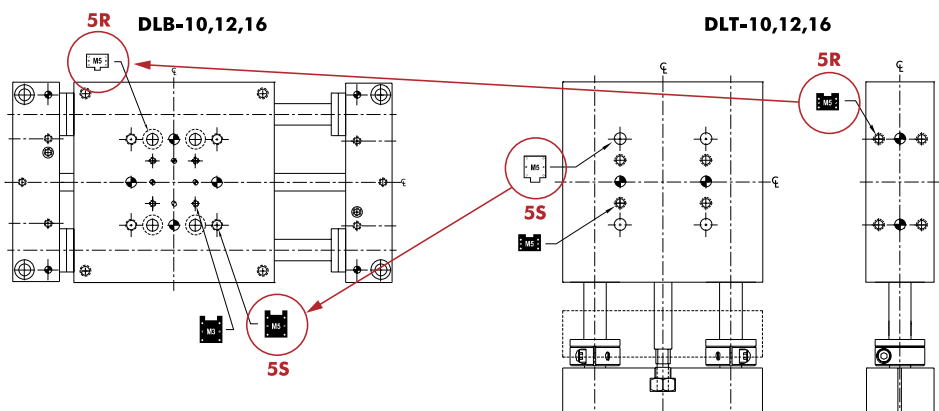
Shown below, a DLB-10,12,16 Base Slide connecting to a DLT-10,12,16 Linear Thruster. Units may connect on different faces of the unit. Please refer to individual datasheets for DIRECTCONNECT mounting surfaces.

Catalog Models		Base Slides			Thruster Slides				
		DLB-06,08	DLB-10,12,16	DLB-20,25	DLT-06,08	DLT-10,12,16	DLT-20,25	DLM-07	DLM-09,12
Base Slides	DLB-06,08				3R,3S			3R,3S	
	DLB-10,12,16					3S	5R,5S		3S
	DLB-20,25						5S	10R,10S	5S
Thruster Slides	DLT-06,08	3R,3S	3S		3R	3R		3R	3R
	DLT-10,12,16		5R,5S	5S		5R	5R		5R
	DLT-20,25			10R,10S			10R		
	DLM-07	3R,3S	3S		3R	3R		3R	3R
	DLM-9,12		5R,5S	5S		5R	5R		5R
	DRF-075,094					5R	5R		5R

**Note:** The numbers in the cell represent the metric screw size and basic mounting pattern. S=Square, R=Rectangle. ie; 5S = M5 Screw with square mounting pattern.

### DirectConnect Mounting Surface Example:

Locate matching DIRECTCONNECT mounting pattern icons on the products dimensional drawings to determine what surface faces can be connected to. Corresponding mates equal a DIRECTCONNECT connection.



# DIRECTCONNECT™ MODULAR COMPATIBILITY CHART

## Grippers/Slides/Rotaries | Product Overview

DESTACO's modular automation systems feature DirectConnect™ technology, allowing all components of the system—base slides, block thrusters, thruster slides, grippers, and rotaries—to be mounted together quickly & easily without any adapter plates. Look for matching icons on product datasheets for mounting compatibility.

Simply locate your first product along the horizontal axis of the top of chart, then locate the second product along the vertical axis on the left side of the chart. If a connection can be made, a mounting pattern will be shown.

**Note:** The numbers in the cell represent the metric screw size and basic mounting pattern. S=Square, R=Rectangle. ie; 5S = M5 Screw with square mounting pattern.



M5 (S)quare M5 (R)ectangle

Catalog Models		Base Slides		
		DLB-06&08	DLB-10,12&16	DLB-20&25
Base Slides	DLB-06 & 08			
	DLB-10, 12 & 16			
	DLB-20 & 25			
Thruster Slides	DLT-06 & 08	3R,3S	3S	
	DLT-10, 12 & 16		5R,5S	5S
	DLT-20 & 25			10R,10S
	DLM-07	3R,3S	3S	
	DLM-9 & 12		5R,5S	5S
Rotary Actuators	DRF-075 & 094		5R	
	DRF-106		5R	10R
	DRF-131		5R	10R
	DRG-074 & 094		5R	
	DRG-106		5R	10R
	DRG-131		5R	10R
Grippers	DGC		5R	
	DPG		5R	
	DCT-12, 16 & 25	3R		
	DCT-25		5R	
	DPDL-047 & 056	3R		
	DPDL-088 & 125		5R	
	DPDL-175 & 250			10R
	DPDS-047 & 056	3R		
	DPDS-088 & 125		5R	
	DPDS-175 & 250			10R
	DPL-25xx		5R	
	DPL-32xx & 40xx			10R
	DPP-10 & 14	3R		
	DPP-20		5R	
	DPP-28		5R	10R
	DPW-250	3R		
	DPW-375 & 500		5R	
	G100-08 & 011	3R		
	G100-18 & 25		5R	
	DPE-200		5R	
DPE-400			10R	



GR-PRO-6

Dimensions and technical information are subject to change without notice



# DIRECTCONNECT™ MODULAR COMPATIBILITY CHART

Grippers/Slides/Rotaries | Product Overview

Thruster Slides					Rotary Actuators		
DLT-06&08	DLT-10,12&16	DLT-20&25	DLM-07	DLM-09&12	DRF-075&094	DRF-106	DRF-131
3R,3S			3R,3S				
3S	5R,5S		3S	5R,5S	5R	5R	5R
	5S	10R,10S		5S		10R	10R
3R	3R		3R	3R	3R,3S	3R,3S	
	5R	5R		5R	5R,5S	5R,5S	5R,5S
		10R					10R,10S
3R	3R		3R	3R	3R,3S	3R,3S	
	5R	5R		5R	5R,5S	5R,5S	5R,5S
	5R	5R		5R	5R	5R	5R
	5R	10R		5R	5R	5R	10R
	5R	10R		5R	5R	5R	10R
	5R	5R		5R	5R	5R	5R
	5R	10R		5R	5R	5R	10R
	5R	10R		5R	5R	5R	10R
	5R	5R		5R	5R	5R	5R
	5R	5R		5R	5R	5R	5R
3R	3R		3R	3R	3R	3R	
	5R	5R		5R	5R	5R	5R
3R	3R		3R	3R	3R	3R	
	5R	5R		5R	5R	5R	5R
		10R					10R
3R	3R		3R	3R	3R	3R	
	5R	5R		5R	5R	5R	5R
		10R					10R
	5R	5R		5R	5R	5R	5R
		10R					10R
3R	3R		3R	3R	3R	3R	
	5R	5R		5R	5R	5R	5R
	5R	10R		5R	5R	5R	10R
3R	3R		3R	3R	3R	3R	
	5R	5R		5R	5R	5R	5R
3R	3R		3R	3R	3R	3R	
	5R	5R		5R	5R	5R	5R
	5R	5R		5R	5R	5R	5R
		10R					10R

Dimensions and technical information are subject to change without notice

GR-PRO-7

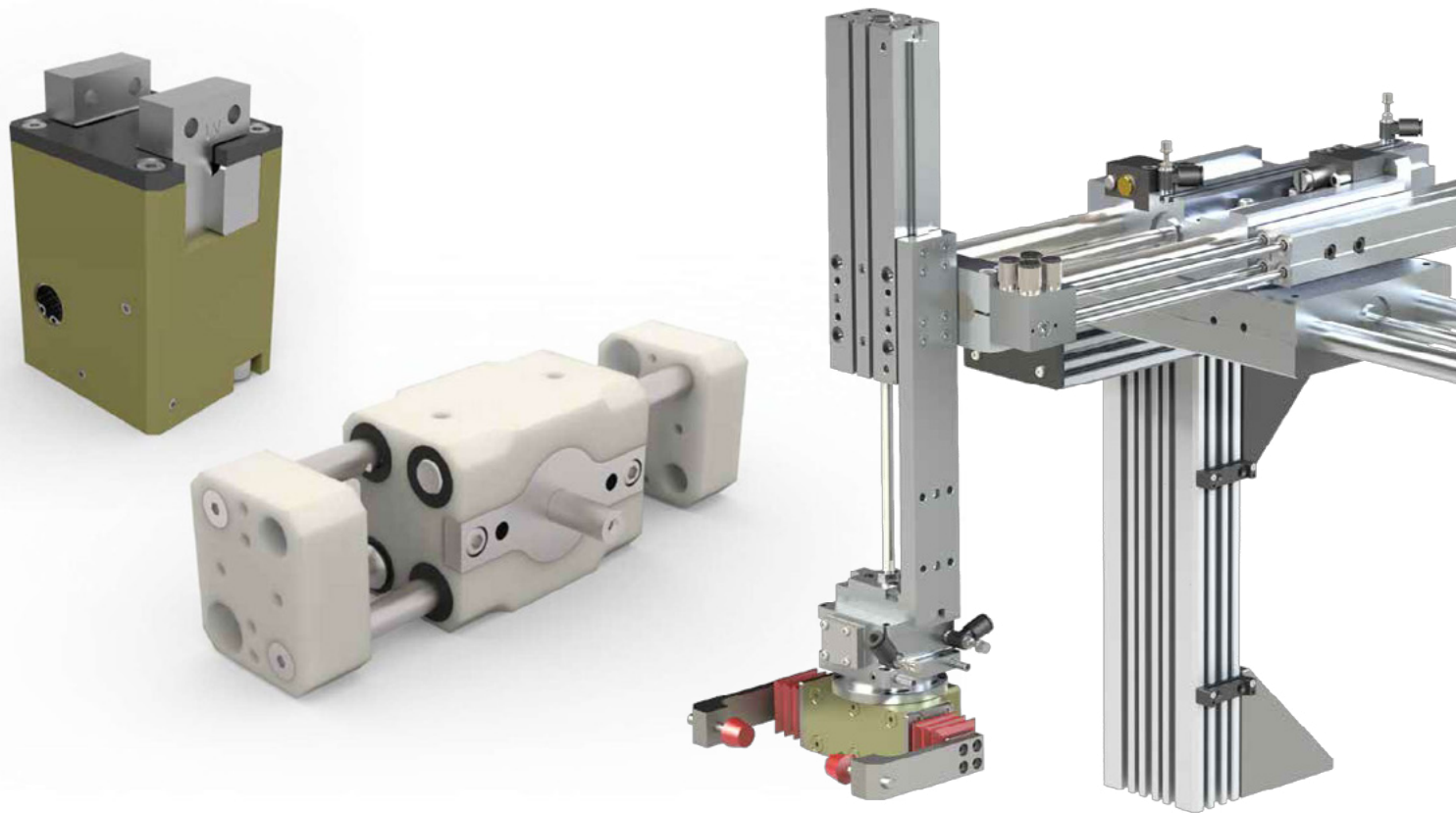




# CUSTOM AUTOMATION SOLUTIONS

## Custom Solutions for Grippers, Rotaries and Linear Slides.

Below are some examples of standard products modified or assembled to customer specified custom solutions. DESTACO's Robohand products are designed to be used together in any number of combinations to offer a unique automation solution to fit your needs.



Contact us today to get started on your custom application: [solutions@destaco.com](mailto:solutions@destaco.com)

### Markets



Industrial



Transportation



Food & Packaging



Consumer Goods



Logistics



Life Sciences

### Applications



Assembly



Welding



CNC/Machining



Plastic Injection Molding



Fixture and Testing



White Goods/Appliance



GR-PRO-8

Dimensions and technical information are subject to change without notice

## MAKING OUR PRODUCTS SPECIAL FOR YOU

### Custom Solutions for Grippers, Rotaries and Linear Slides.

DESTACO offers three levels of modifications for customizing our gripper, rotate and slide products to fit our customers' specified applications. Depending on the severity of the modifications, quoting times may take longer.

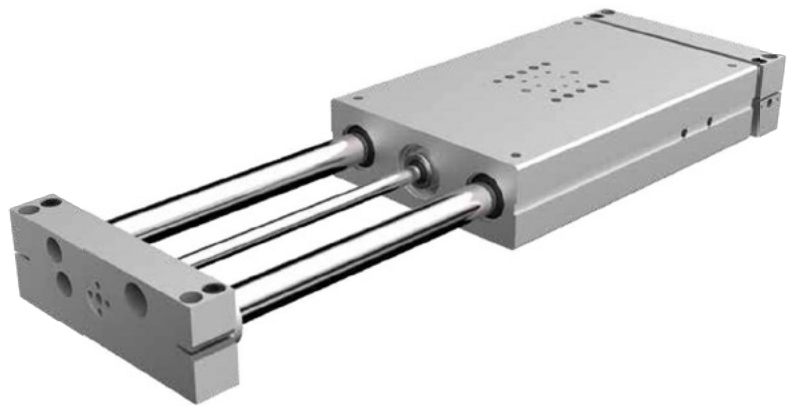
#### Level 1 Modifications:

- Labeling and bundled kits.
- Grease and seals.
- Features added or removed.
- Port and manifold plugged or opened.
- Quotes within 1 day\*



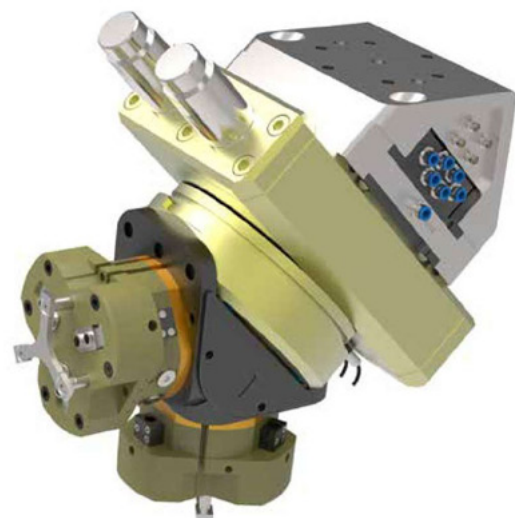
#### Level 2 Modifications:

- Mounting patterns and port changes.
- Finish and plating
- Precision surface grind.
- Stroke adjustments.
- Special seals.
- Quotes within 3 days\*



#### Level 3 Modifications:

- Functional operation and force adjustments.
- Material changes and weight reduction.
- 100% Custom design to your specifications.
- Manufactured to your design.
- Quotes within 5 days\*



(\* All inquiries subject to minimum order





# APPLICATIONS FORM

Grippers/Slides/Rotaries | Product Overview

The form consists of a large grid for technical drawing, with a 3D coordinate system (X, Y, Z) in the top right corner. The grid is 20 columns wide and 30 rows high. The coordinate system has the Z-axis pointing upwards, the X-axis pointing to the left, and the Y-axis pointing to the right.

Dimensions and technical information are subject to change without notice

GR-PRO-11



# OEM PRODUCTS

## OEM Products | Product Overview

DESTACO's Robohand G100 pneumatic grippers and T100 linear slide tables offer affordable linear and gripping solutions that match the price and performance expectations for machine builders and OEM markets.

Engineered to provide better performance, lower maintenance and faster operation, the Robohand OEM solutions deliver high on value for cost sensitive applications.



## OEM Pneumatic Parallel Grippers

Model	Stroke mm [in]	Grip Force N [lbf]	Operating Environment	Special Features	Page GR-OEM-#
G100	5-50 [0.20-1.97]	56-558 [13-125]	IP54, -35° to 80°C [-30° to 180°F]	Extended vertical jaw option (G120). Finger interchangeable with competing models. Wide range of stroke and bore sizes.	3

## OEM Pneumatic Linear Slides

Model	Stroke mm [in]	Thrust Force N [lbf]	Operating Environment	Special Features	Page GR-OEM-#
T100	10-150 [0.39-5.90]	29-529 [6.5-119]	IP54, -20° to 70°C [-4° to 160°F]	Drop-in industry replacement. 44 models, 6 bore sizes with various strokes.	15



GR-OEM-1

Dimensions and technical information are subject to change without notice

# OEM PRODUCTS

## OEM Products | Product Overview

### G100 Series - OEM Pneumatic Parallel Grippers

The G100 series family of grippers include 20 model sizes with varying stroke options. An extended jaw option is offered that is finger compatible with competing products for easier upgrades.

Size	Total Rated Grip Force	Stroke Availability											
		5mm	6mm	10mm	12mm	15mm	18mm	20mm	24mm	25mm	30mm	40mm	50mm
08M	56N [13 lbf]	•		•		•		•		•			
11M	104N [23 lbf]	•		•		•		•		•			
18M	260N [58 lbf]		•		•		•		•		•		
25M	558N [125 lbf]			•				•			•	•	•

### T100 Series - OEM Pneumatic Linear Slides

The T100 series family of slide tables include 44 model sizes with varying stroke options. The units follow industry standard footprint for direct drop-in replacement of competing models.

Size	Thrust Force at 7 bar [100 psi]	Stroke Availability								
		10mm	20mm	30mm	40mm	50mm	075mm	100mm	125mm	150mm
06M	29N [7 lbf]	•	•	•	•	•				
08M	53N [12 lbf]	•	•	•	•	•	•			
12M	119N [27 lbf]	•	•	•	•	•	•	•		
16M	211N [47 lbf]	•	•	•	•	•	•	•	•	
20M	330N [74 lbf]	•	•	•	•	•	•	•	•	•
25M	529N [119 lbf]	•	•	•	•	•	•	•	•	•